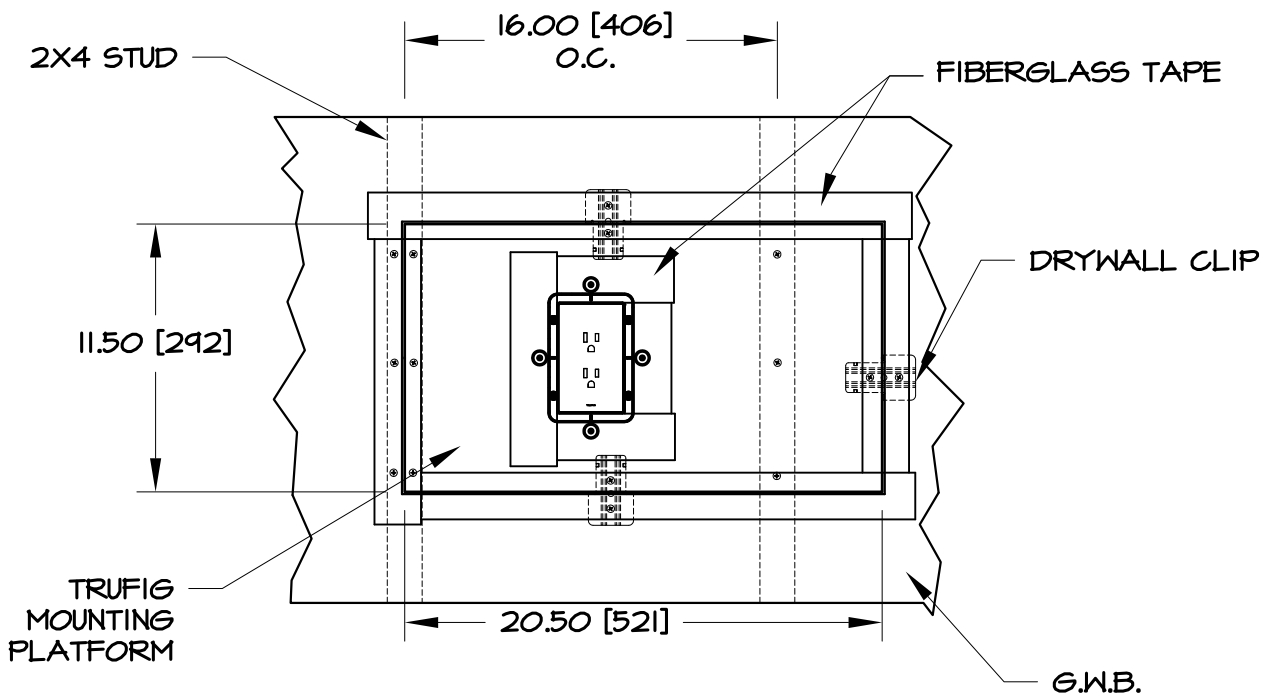
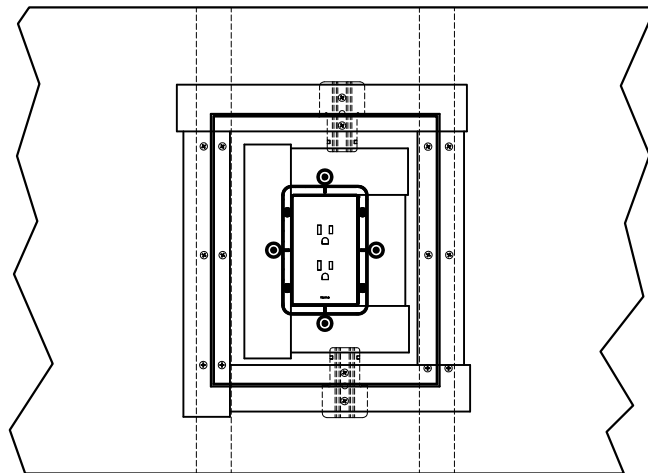


SINGLE GANG METAL TYPICAL ELEVATION DETAILS IN G.W.B.

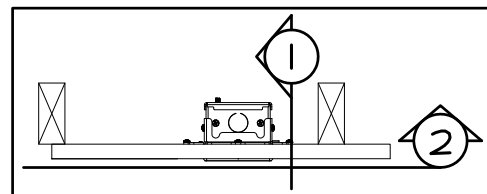


9.58 [243]
MIN. CUT SIZE



VIEWS SHOWN BEFORE SKIM COAT APPLICATION

LEGEND (TOP VIEW)



2

TYP. ELEVATION

REV.

DRWN - PART NUMBER

DRAWN BY: A.B.

SCALE: 1:8

RELEASED ON: 05NOV09

SHEET: 1 OF 1

TRUFIG
212 Avenida Fabricante, San Clemente, CA, 92672
www.trufig.com

