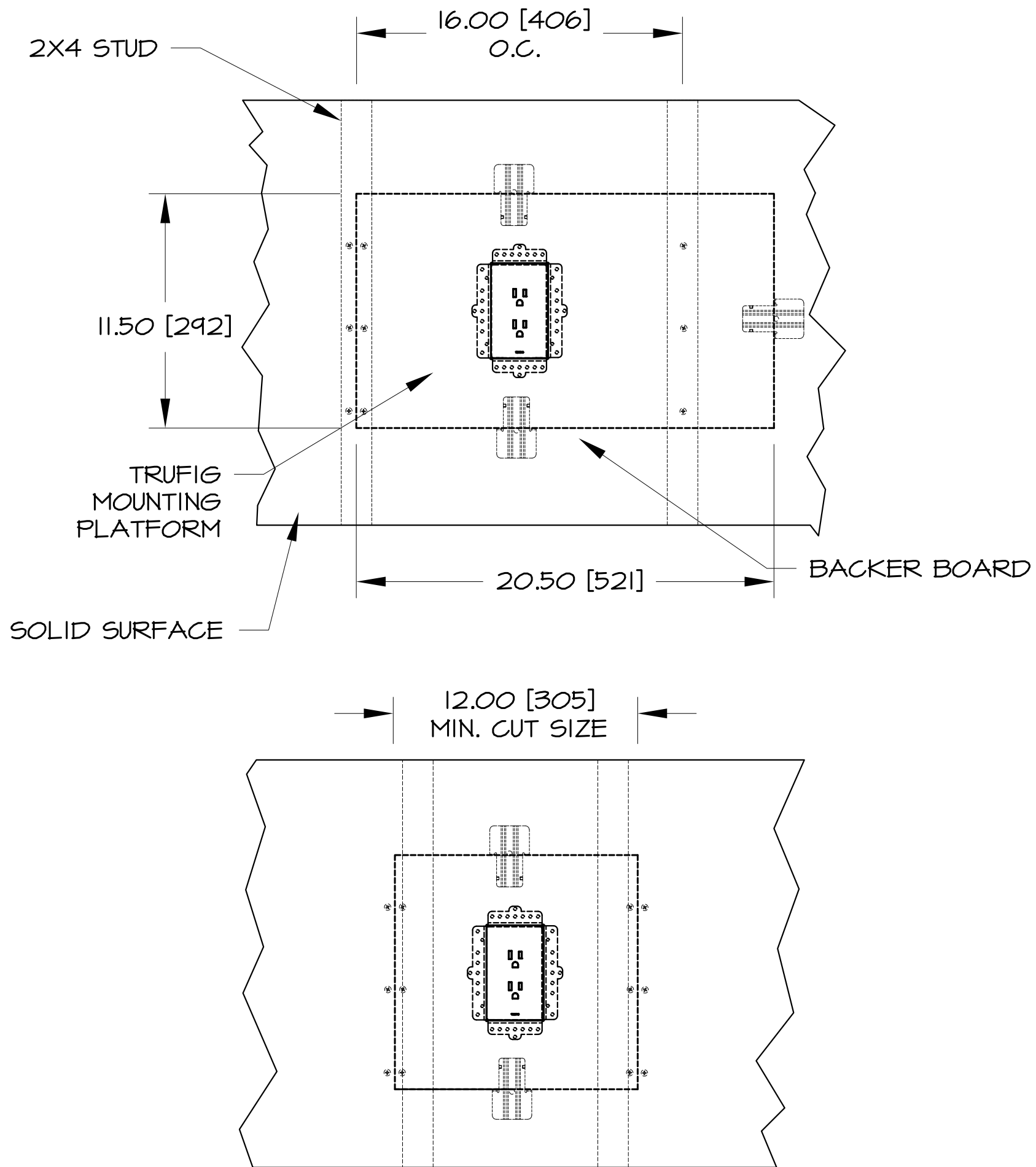
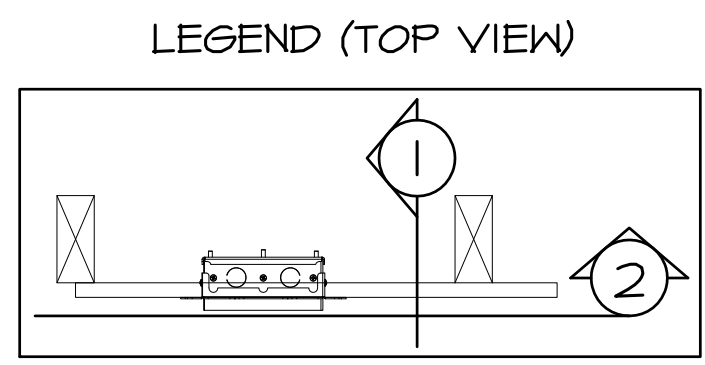


SINGLE GANG SOLID SURFACE TYPICAL ELEVATION DETAILS IN A SOLID SURFACE



② TYP. ELEVATION



REV.	DRWN - PART NUMBER	SCALE: 1:8	DRAWN BY: A.B.
		SHEET: 1 OF 1	RELEASED ON: 05NOV09
<p>TRUFIG 212 Avenida Fabricante, San Clemente, CA. 92672 www.trufig.com</p>			

