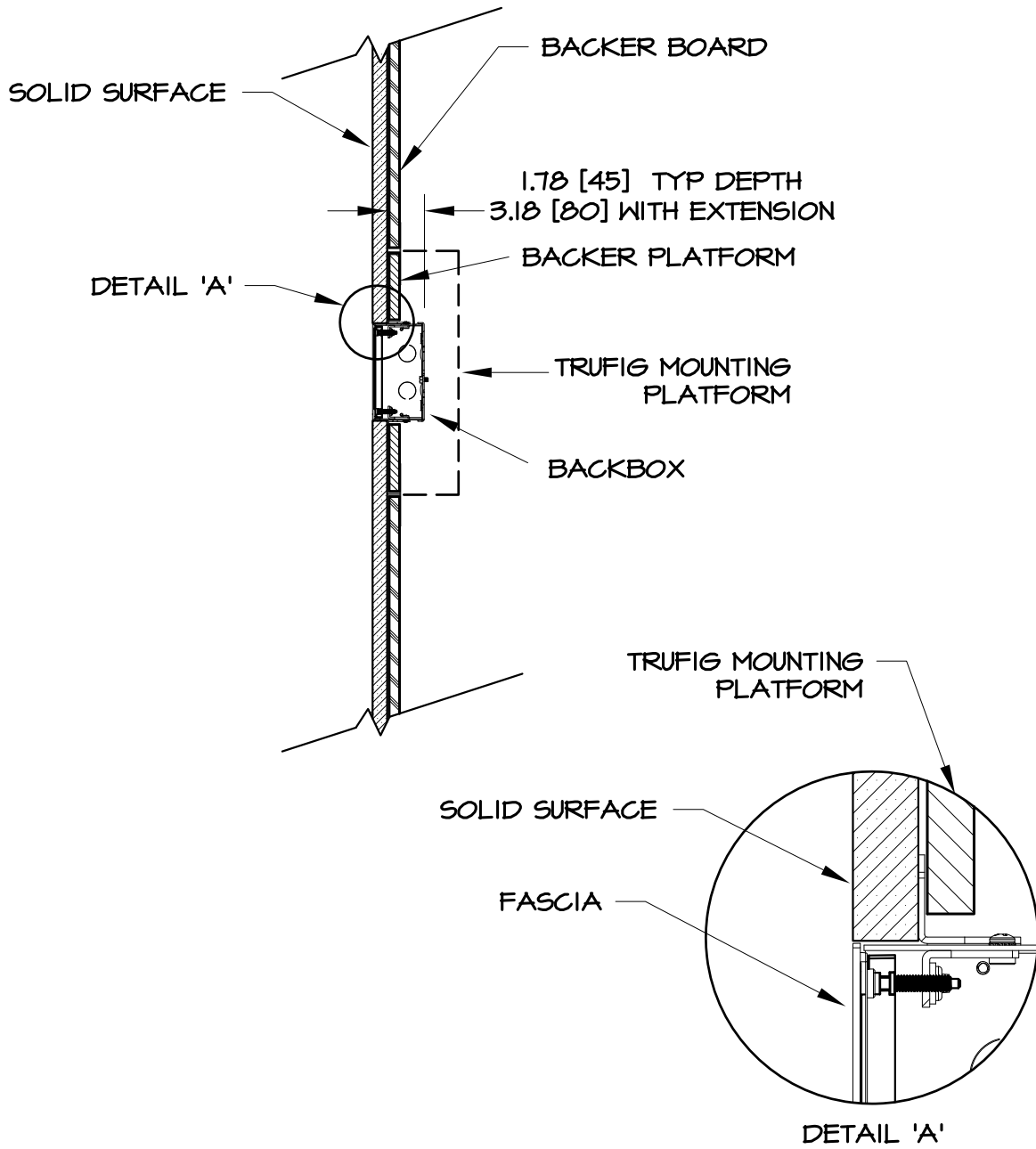
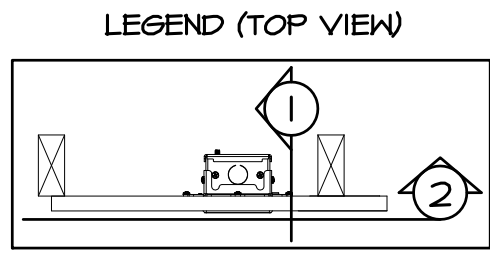


SINGLE GANG SOLID SURFACE TYPICAL SECTION DETAILS IN A SOLID SURFACE



① ————— TYP. SECTION



REV.

DRWN - PART NUMBER

DRAWN BY: A.B.

RELEASED ON: 05NOV09

SCALE: 1:8

SHEET: 1 OF 1

TRUFIG  
212 Avenida Fabricante, San Clemente, CA, 92672  
www.trufig.com

