

INSTALLATION GUIDE



TRUFIG Trim Component Black Nova | Lutron Palladiom 1 Col Euro style

Overview:

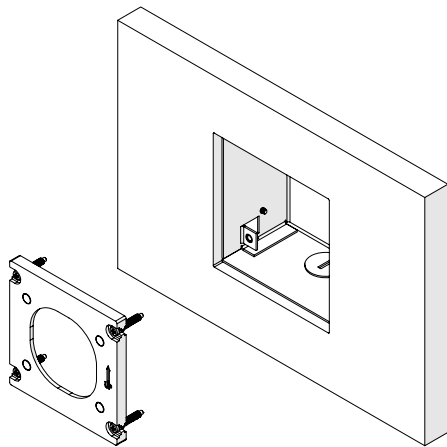
This installation guide will provide instructions to adjust a Black Nova or a Lutron Palladiom 1 Col Euro style Trim Component so the keypad is flush to the finished surface

NOTE: The Process is the same for both Gypsum and Solid Surface installations. This process is the same for Back Nova or Lutron 1 Column Euro Fascia.

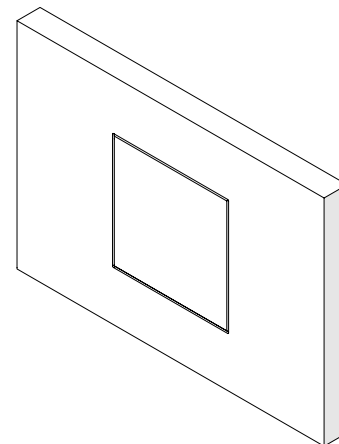
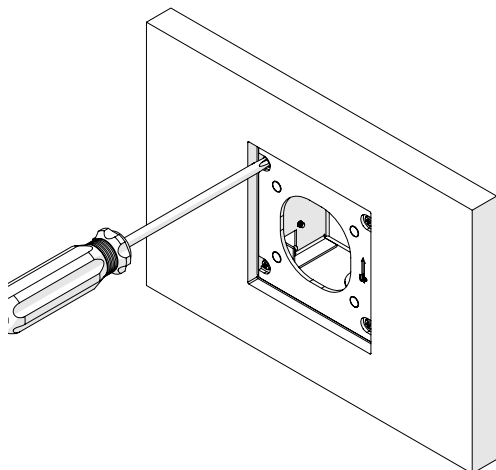
3. Once the front surface of the Trim Component is $\frac{3}{8}$ " [9mm] below the surface inset the device being installed and verify that the face is flush with the finished surface.
4. Continue adjusting the Trim Component until the front surface of the device is flush with finished surface of the wall.

INSTALLING THE TRIM COMPONENT

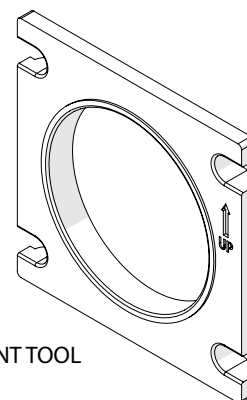
1. When the Keypad is ready to install insert the Trim Component into the box aligning the 4 screws with the 4 tabs.



2. Using a Phillips screwdriver lower the Trim Component evenly with 3-4 turns on each screw).



NOTE: When installing several devices A 50011 Depth Adjusting Tool is recommended. This toll will help achieve the correct depth without having to install the device.



DEPTH ADJUSTMENT TOOL