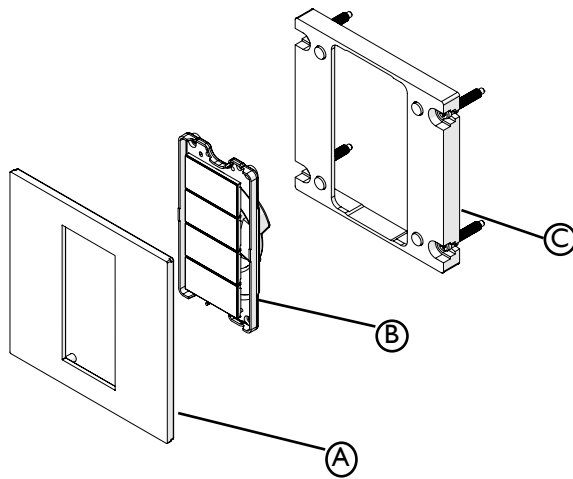


KEYPAD ASSEMBLY LUTRON PALLADIOM I COL EURO STYLE 95X95MM



- Ⓐ FASCIA
- Ⓑ LUTRON PALLADIOM KEYPAD
NOT SUPPLIED
- Ⓒ TRIM COMPONENT

DESCRIPTION:

Applications:

This Fascia/Trim Component can be used with the Lutron Palladiom keypad 95x95 mm.

Not supplied by TRUFIG

TECHNICAL:

Fascia uses 4 Neodymium magnets to hold the Lutron assembly keypad in place.

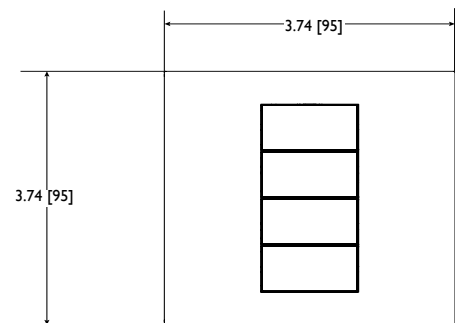
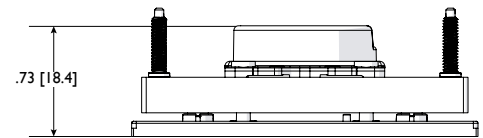
Trim Component is made of ABS plastic.

This assembly can be used with any of the following Mounting Platforms:

MODEL #	DESCRIPTION
51240	95x95 5/8 IN GYP MP
51241	95x95 1/2 IN GYP MP
51242	95x95 5/8 IN SS MP
51243	95x95 1/2 IN SS MP

ORDERING INFO:

LUTRON PALLADIOM I COL EURO STYLE FASCIA	Model#: 50478
LUTRON PALLADIOM I COL EURO STYLE TRIM COMPONENT	Model#: 50339



991 Calle Amanecer
San Clemente, CA. 92673
(949) 492-7777

As part of its policy of continuous research and product development, the company reserves the right to change or withdraw specifications without prior notice.

TRUFIG and the TRUFIG Logo are trademarks of Dana Innovations. © 2017 Dana Innovations. All rights reserved.



TRUFIG.COM

TYPE:
CATALOG:
PROJECT:
DATE: