

TRUFIG

991 Calle Amanecer
San Clemente, CA 92673
(949) 492 - 7777

TRUFIG and their
associated logos are trademarks
of Dana Innovations.

© 2017 Dana Innovations.
All rights reserved.

INSTALLATION GUIDE

TRUFIG Crestron TSW-760 | TSW-1060 | TSW-1070 Fascia Installation

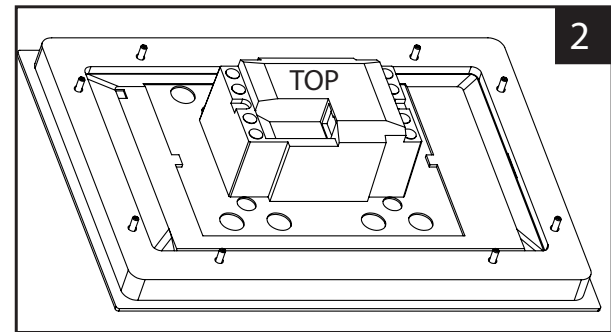
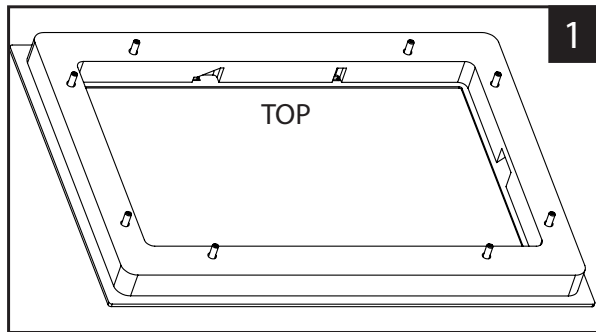
Overview:

This installation guide will provide instruction on how to install a TRUFIG Crestron TSW-760 | TSW-1060 | TSW-1070 fascia.

Fascia Assembly Contents:

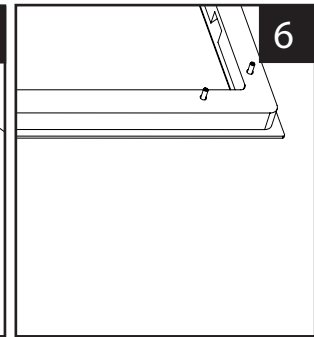
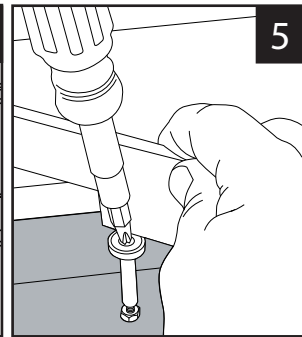
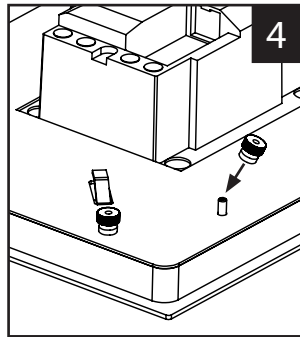
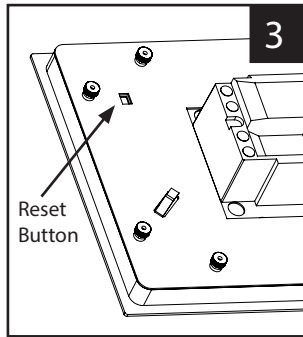
- 1 Primed Metal Fascia Substrate
- 1 Metal Touch Panel Retainer
- 8 Retainer Thumb Nuts

- 1 Fascia Removal Tool
- 1 Fascia Depth Adjustment Tool
- 4 Standoffs
- 1 Thumb Nut



Orientation & Placement

Before installing the touch panel unit into the metal fascia, be sure that the top of the fascia is going to be aligned with the top of the touch panel - the microphone and speaker ports on the fascia must line up with those on the unit (picture 1). Once fascia is aligned properly, place the touch panel unit into the metal fascia (picture 2).



Back Cover

Place back cover onto the fascia and attach the eight retainer thumb nuts (pictures 3 & 4). Notice that the reset button can still be accessed through the metal retainer (picture 3).

Level and Attach

Using the provided adjustment tool, ensure that the magnets are adjusted to the correct depth. Place the adjustment tool across the corner of the mounting platform and let it rest on the finished wall surface. The stem part of the tool should touch the top surface of the magnet. Use a screw driver to adjust the magnet height if necessary (picture 5). Click the fascia into the wall (picture 6). If fascia needs to be removed, use provided suction cup. It is recommended to remove it by attaching on the screen surface next to one of the corners.