

JOSH MICRO TRUFIG MOUNTING INSTALLATION MANUAL



NOTE: THE PROCESS OF MOUNTING THE PLATFORM, PREWIRING, AND INSTALLING DRYWALL AROUND THE PLATFORM ARE THE SAME FOR DRYWALL, WOOD, STONE, OR ANY OTHER SOLID SURFACE INSTALLATION.

Placement of the Mounting Platform

IMPORTANT: TO ACHIEVE PROPER ALIGNMENT OF THE JOSH LOGO, THE MOUNTING PLATFORM SHOULD BE POSITIONED AND INSTALLED HORIZONTALLY, IN EITHER DIRECTION (SEE FIGURE 1).

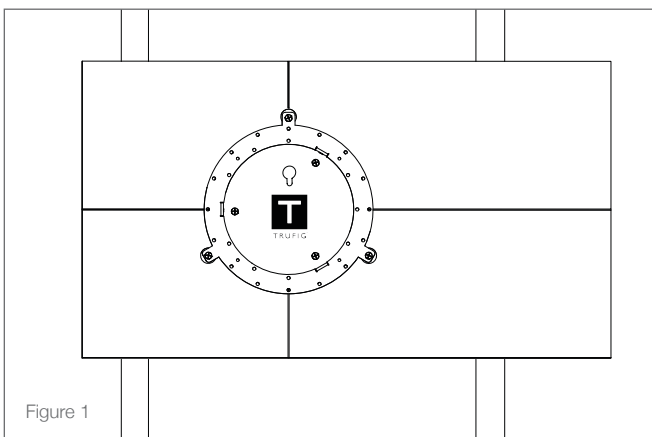


Figure 1

Wiring the Device

1. Once the mounting platform is in position, insert the CAT5/ CAT6 cable into the mounting platform back box opening from the bottom and secure it using the provided tether strap attached to the back box to prevent it from falling into the wall cavity. Make sure to insert the connector and enough slack to prevent it from falling out during mounting platform installation (see Figure 2).
2. Install the Mounting Platform as recommended (see mounting platform installation manual for full instruction details).
3. Verify that the CAT5/6 is still in position within the mounting platform box (see Figure 2).
4. Finish the Mounting Platform and wall surface as recommended in the mounting platform installation manual.

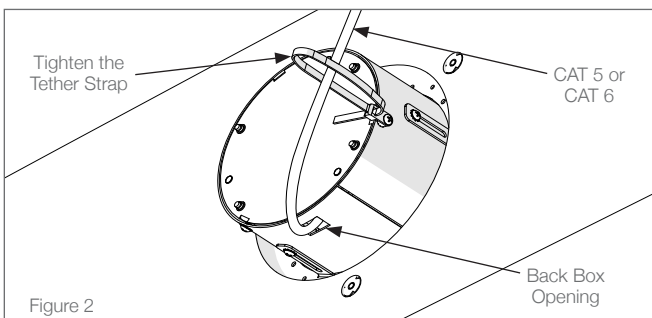


Figure 2

5. Once the surface is finished, remove the sanding and paint shield from the mounting platform surface per the mounting platform instructions.

Installing the POE

NOTE: BEFORE INSTALLING THE POE, ENSURE THE MOUNTING PLATFORM IS INSTALLED AS RECOMMENDED AND FINISHED WITH THE WALL SURFACE PAINTED (OR, FOR SOLID SURFACE INSTALLATION, THE BACK BOX IS SECURELY FIXED AND ANALIGNED).

1. Using a Phillips #2 screwdriver, remove the 4 screws holding the mounting bracket plate inside the back box. A magnetic tip screwdriver is recommended (see Figure 3).
2. Insert the Josh Micro POE in a vertical orientation so that the connector is facing down and the corded portion of the connector is free (see Figure 4).
3. Connect the CAT5/6 cable to the POE connector.
4. Replace the mounting bracket and resecure the 4 screws into place, leaving the corded portion of the connector free-hanging in front of the mounting bracket plate (see Figure 5).

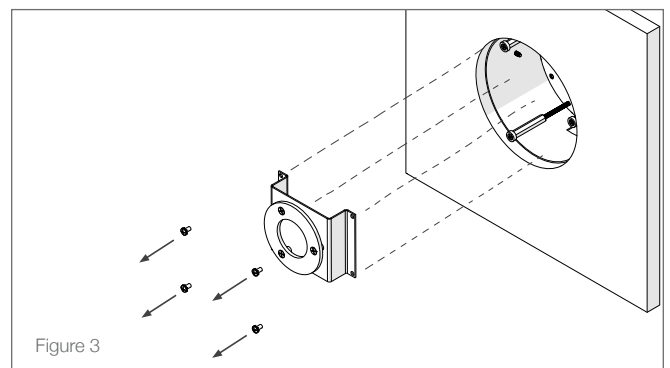


Figure 3

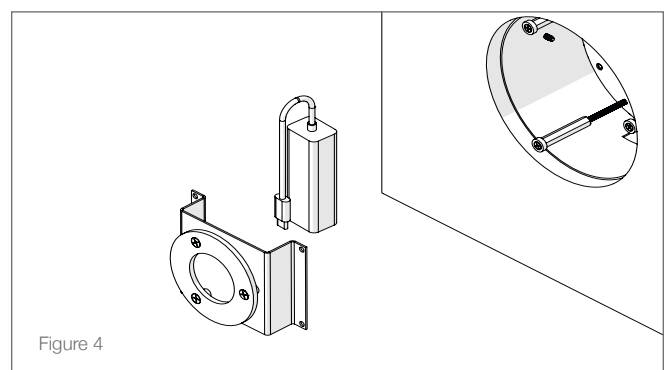


Figure 4

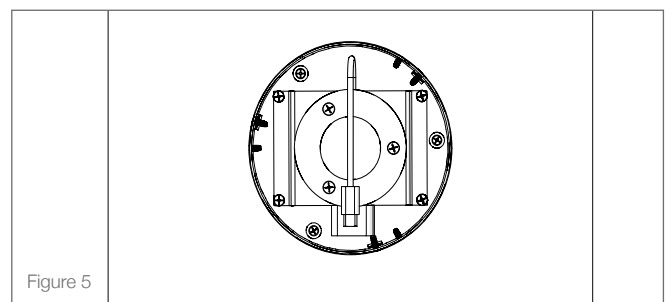
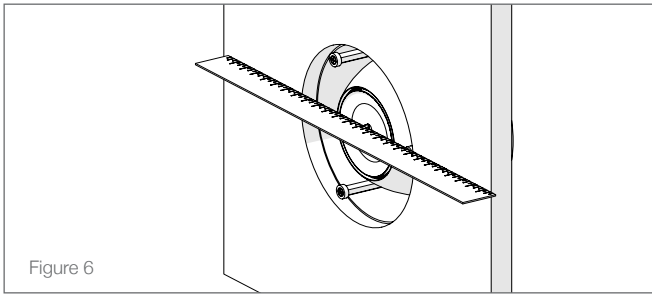


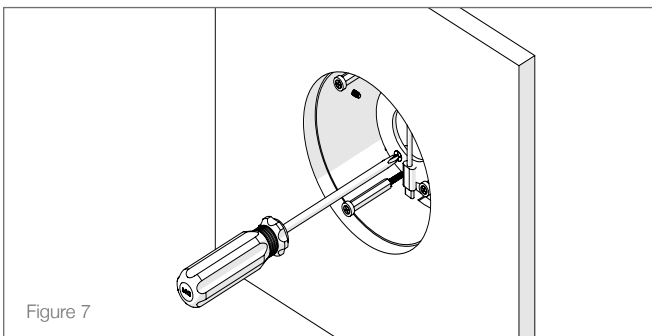
Figure 5

Adjusting the Josh Micro device within the Bracket

1. Place the Josh Micro device into the magnetic ring and check that the top edge is flush with the wall surface (see Figure 6).

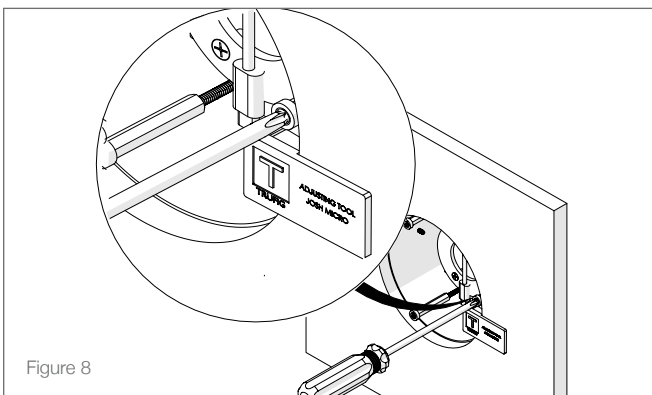


2. Adjust the 3 screws in the magnetic ring as needed to accomplish a flush finish (see Figure 7).

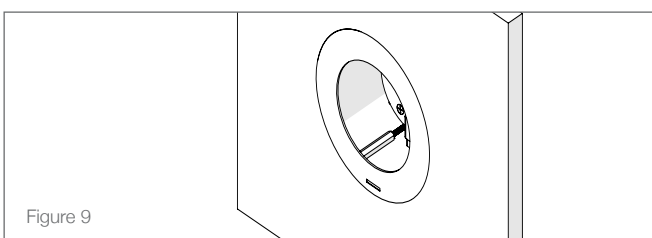


Adjusting the Fascia

1. Remove the Josh Micro device.
2. Use the adjusting tool to set the magnets to the proper height (see Figure 8).

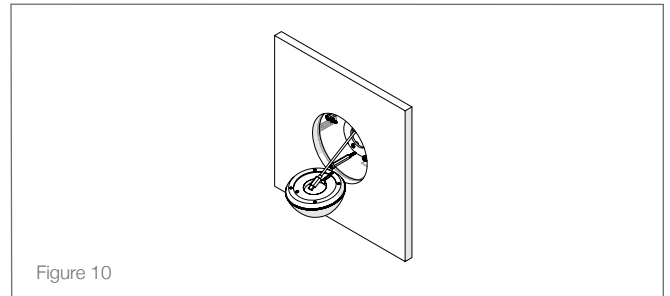


3. Insert the Fascia into the opening and verify that it is flush to the wall surface. (See Figure 9)
4. Repeat this process as needed until the desired finish is achieved.

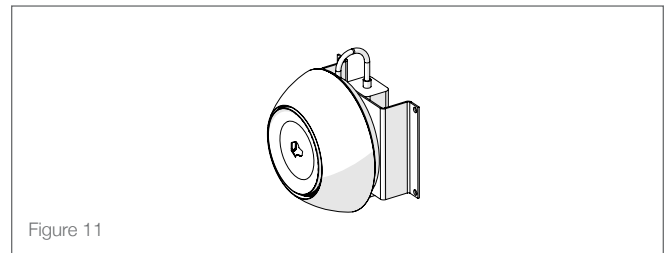


Final Installation

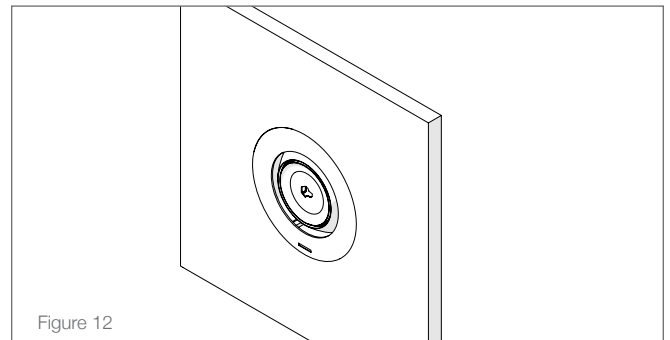
1. Remove the Fascia and connect the Josh Micro device to the POE connector (see Figure 10).



2. Place the Josh Micro device onto the magnetic ring plate (see Figure 11).



3. Ensure that the Josh Micro logo is vertically aligned.
4. Place the Fascia into position around the Josh Micro device (see Figure 12).



NOTE: THERE WILL BE A GAP OPENING AROUND THE JOSH MICRO SURFACE BETWEEN THE DEVICE AND THE FASCIA. THIS IS TO ALLOW AUDIO FROM THE JOSH MICRO DEVICE TO BE HEARD.

©2019 TRUFIG. All rights reserved. TRUFIG is a registered trademark of Dana Innovations. Due to continuous product improvement, all features and specifications are subject to change without notice. For the latest TRUFIG product specification information visit our website: www.TRUFIG.com

TRUFIG • 991 Calle Amanecer • San Clemente, CA 92673 USA
Phone: (949) 492-7777 • FAX: (949) 361-5151 • Technical Support: (949) 492-7777