

TRUFIG

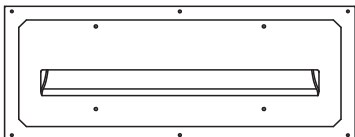
BY SONANCE

GRG LINEAR DIFFUSER DATA SHEET

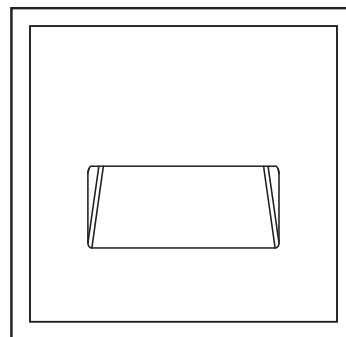
GYPSUM LINEAR DIFFUSER							
PHYSICAL CHARACTERISTICS			VELOCITY				
Size	Opening Dims	Open Area	250	400	500	600	1,000
Unit of Measure	(W x H)	(SQ. FT)	CUBIC FEET PER MINUTE CFM				
12"	11" x 2.5"	0.19	48	76	95	114	190
24"	24" x 1.625"	0.272	68	109	136	163	272
36"	36" x 1.625"	0.407	102	163	204	244	407
48"	48" x 1.625"	0.544	136	218	272	326	544

7" GYPSUM DIFFUSER							
PHYSICAL CHARACTERISTICS			VELOCITY				
Size	Opening Dims	Open Area	250	400	500	600	1,000
Unit of Measure	(W x H)	(SQ. FT)	CUBIC FEET PER MINUTE CFM				
7"	7" x 2.625"	0.123	31	49	62	74	123

DIMENSIONAL DRAWINGS



Gypsum Linear Diffuser Front View



7" Gypsum Diffuser Front View

